



Sanwa Drawing Die Company

Order Sheet

of Sanwa carbide nibs

ORDER DATE _____ / _____ / _____

COMPANY NAME _____ NAME _____

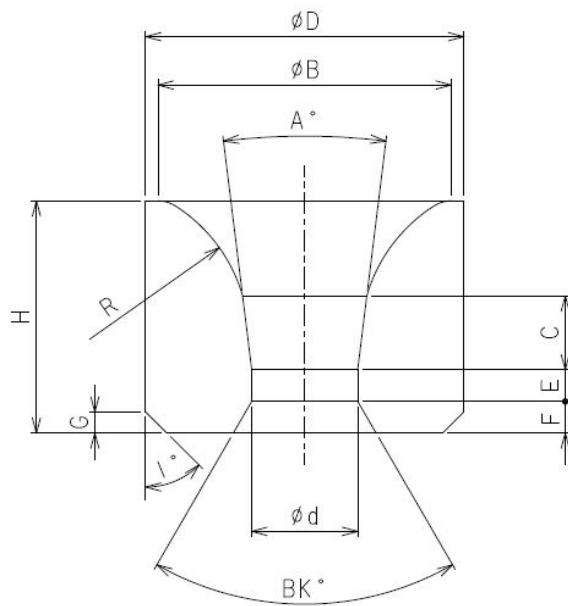
Department Name _____

ADDRESS _____

PHONE _____ E-mail _____

DESIRED DIMENSIONS

Please complete the form below.



DESIRED DELIVERY DATE
_____ / _____ / _____

* required information

ϕd *	QUANTITY

ϕD *		ϕB	
H *		F	
E *		C	
A° *		R	
I°		G	
BK°			

REMARKS

Please fax or email this sheet. We will promptly inform you of the price and drawing.

Contact for Orders & Inquiries	
<p>■ Customers in Europe</p> <p>RK Umformtechnik GmbH & Co.KG</p> <p>fax +49 27 72 58 353-10</p> <p>mail. sanwadd@rk-umformtechnik.de</p> <p>tel. +49 27 72 58 353-0</p>	<p>■ Customers in Other Areas</p> <p>Sanwa Drawing Die Company</p> <p>fax. +81-6-6755-2211</p> <p>mail. info@sanwadd.com</p>